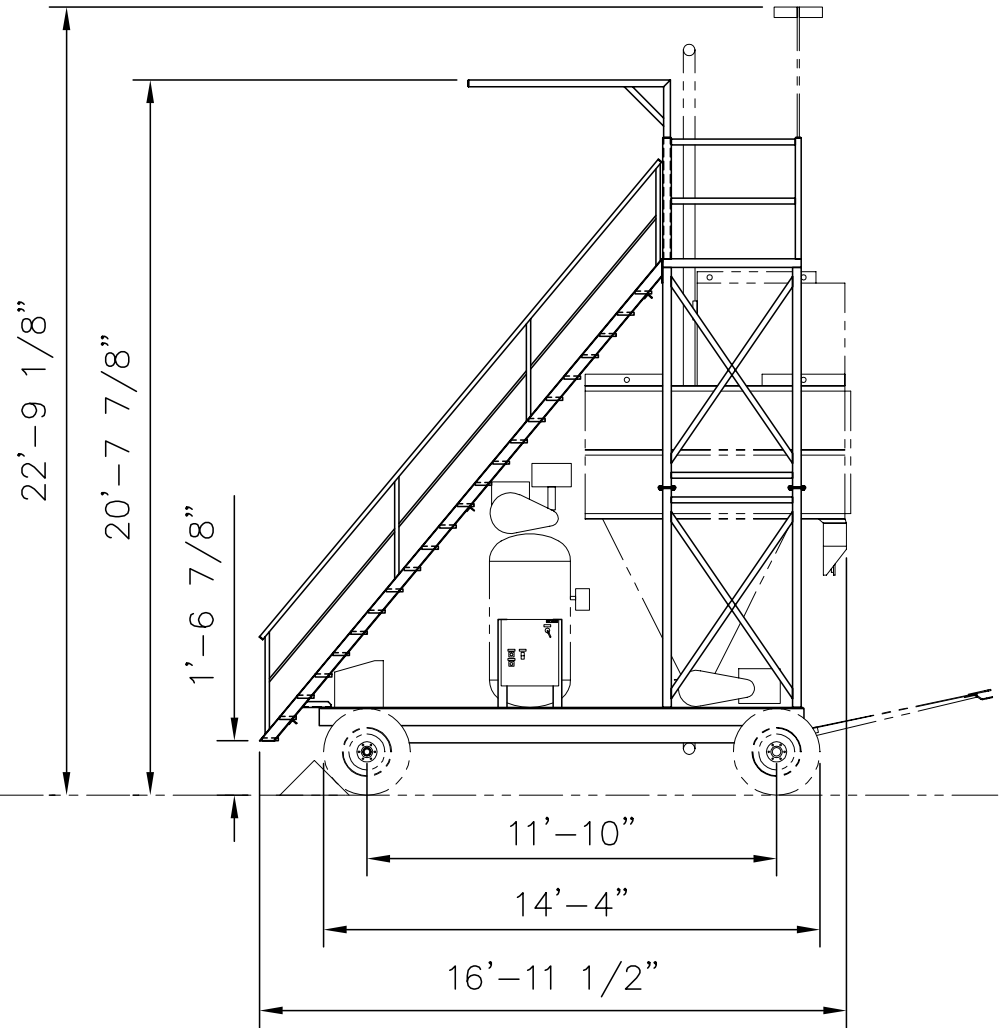



REAR ELEVATION  
SOME DETAIL OMITTED  
SCALE: 3/16" = 1'-0"



ELEVATION  
SCALE: 3/16" = 1'-0"

0	05/12/03	RELEASED FOR FABRICATION	RDB
REV. #	DATE:	DESCRIPTION:	BY:
			218 CORPORATE DRIVE ELIZABETHTOWN, KY 42701 PHONE: (270) 763-6649 FAX: (270) 763-6653 e-mail: sales@rbtsi.com

MODEL DC2000X  
DUST COLLECTION PLATFORM  
GENERAL ARRANGEMENT

THIS DRAWING, CONCEPTS, AND DESIGNS SHOWN THEREON ARE THE EXCLUSIVE PROPERTY OF RBT SERVICES, INC AND ARE NOT TO BE USED OR REPRODUCED IN WHOLE OR IN PART, WITHOUT THE WRITTEN CONSENT OF RBT SERVICES, INC.

DRAWN BY: RDB	DRAWN DATE: 05/12/03	APPROVED BY:	APPROVED DATE:
CHECKED BY: SWD	CHECKED DATE: 05/12/03	SHEET NUMBER: GA-01A	OF
CUSTOMER:	JOB NO: 6516	SCALE:	
LOCATION:	DWG NO: 6516-GA-01A		